

## Rotoblast™ Tables

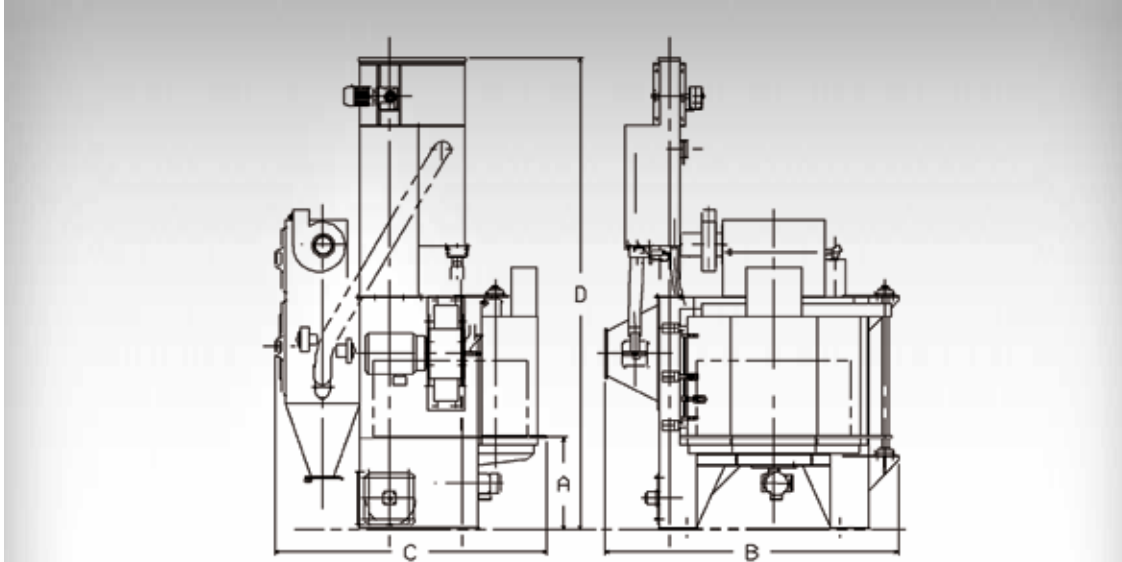


*Models 4LK-7, 6LK-9, 6LK-10, 7LK-9 & 7LK-10*

### FEATURES

- A ruggedly built abrasive resistant blast chamber
- A continuous abrasive handling and reclamation system with a Pangborn air wash separator
- An integral cartridge type dust collector
- Machine wired for easy installation
- An air operated abrasive gate is standard
- One or two wheels are available depending on the model
- Standard work size up to 7' diameter and 5'10" tall (larger models available)

## Technical Data



ROTOBLAST® TABLES	4LK-7	6LK-9*	6LK-10	7LK-9	7LK-10
Maximum Work Dia.	4'-0" (1.2 m)	6'-0" (1.8 m)	6'-0" (1.8 m)	7'-0" (2.1 m)	7'-0" (2.1 m)
Work Height	2'-0" (.6 m)	3'-4" (1 m)	5'-10" (1.8 m)	3'-6" (1.1 m)	5'-10" (1.8 m)
Load Height (A)	2'-5" (.74 m)	2'-10" (.86 m)	2'-10" (.86 m)	3'-4 1/4" (1 m)	3'-4 1/4" (1 m)
Overall Length (B)	7'-11 1/2" (2.43 m)	9'-10" (3 m)	9'-10" (3 m)	11'-3" (3.4 m)	10'-10" (3.3 m)
Overall Depth (C)	7'-4" (2.2 m)	9'-2" (2.8 m)	9'-2" (2.8 m)	10'-2" (3.1 m)	10'-2" (3 m)
Overall Height (D)	13'-11" (4.2 m)	15'-10" (4.8 m)	15'-11" (4.9 m)	16'-4 1/2" (5 m)	18'-6" (5.6 m)
Max. Load Capacity	5,000 lbs (2272 kg)	5,000 lbs (2272 kg)	5,000 lbs (2272 kg)	6,000 lbs (2272 kg)	6,000 lbs (2272 kg)
Rotoblast Wheel Dia. & Drive	15" Diameter - 15 HSP	15" Diameter - 25 HSP	(2) 15" Diameter - 15 HSP	(2) 15" Diameter - 15 HSP	(2) 15" Diameter - 15 HSP
Abrasive Flow/Hour	16,250 lbs/hr (7,386 kg/hr)	28,750 lbs/hr (13,068 kg/hr)	32,500 lbs/hr (14,773 kg/hr)	32,500 lbs/hr (14,773 kg/hr)	32,500 lbs/hr (14,773 kg/hr)
Dust Collector Vol.	800 (INTEGRAL)	1,440 (INTEGRAL)	1,700 (INTEGRAL)	1,477 (INTEGRAL)	1,850 (INTEGRAL)
Standard Electricals (machine wired)	460/3/60	460/3/60	460/3/60	460/3/60	460/3/60
Abrasive Velocity	295 ft/sec (74 m/ sec @3000 RPM 50Hz)	295 ft/sec (74 m/ sec @3000 RPM 50Hz)	295 ft/sec (74 m/ sec @3000 RPM 50Hz)	295 ft/sec (74 m/ sec @3000 RPM 50Hz)	295 ft/sec (74 m/ sec @3000 RPM 50Hz)
Shipping Weight	6,200 lbs (2813 kg)	14,000 lbs (6352 kg)	16,000 lbs (7273 kg)	17,500 lbs (7955 kg)	18,500 lbs (8410 kg)
Abrasive Loading	1,500 lbs (682 kg)	2,000 lbs (909 kg)	2,000 lbs (909 kg)	2,500 lbs (1,136 kg)	2,500 lbs (1,136 kg)

\* Available with (2) 15" Diameter 15 HSP Rotoblast Wheels

### OPTIONS:

- Abrasive replenisher
- Abrasive level indicator
- Variable frequency drives for Rotoblast wheels
- Explosion venting package
- Static pressure switch
- Genesis 4RI wheels available
- Silencer for dust collector
- Stand alone dust collector
- 230/3/60 electricals
- 50 cycle electricals
- Special paint

Please contact us for more information or visit us at: [www.pangborn.com](http://www.pangborn.com) or [www.pangborngroup.com](http://www.pangborngroup.com)

Pangborn Corporation  
 4630 Coates Drive  
 Fairburn, GA 30213  
 Toll Free: 800.638.3000  
 Phone: 404.665.5700  
 Fax: 404.665.5701  
 Email: [info@pangborn.com](mailto:info@pangborn.com)