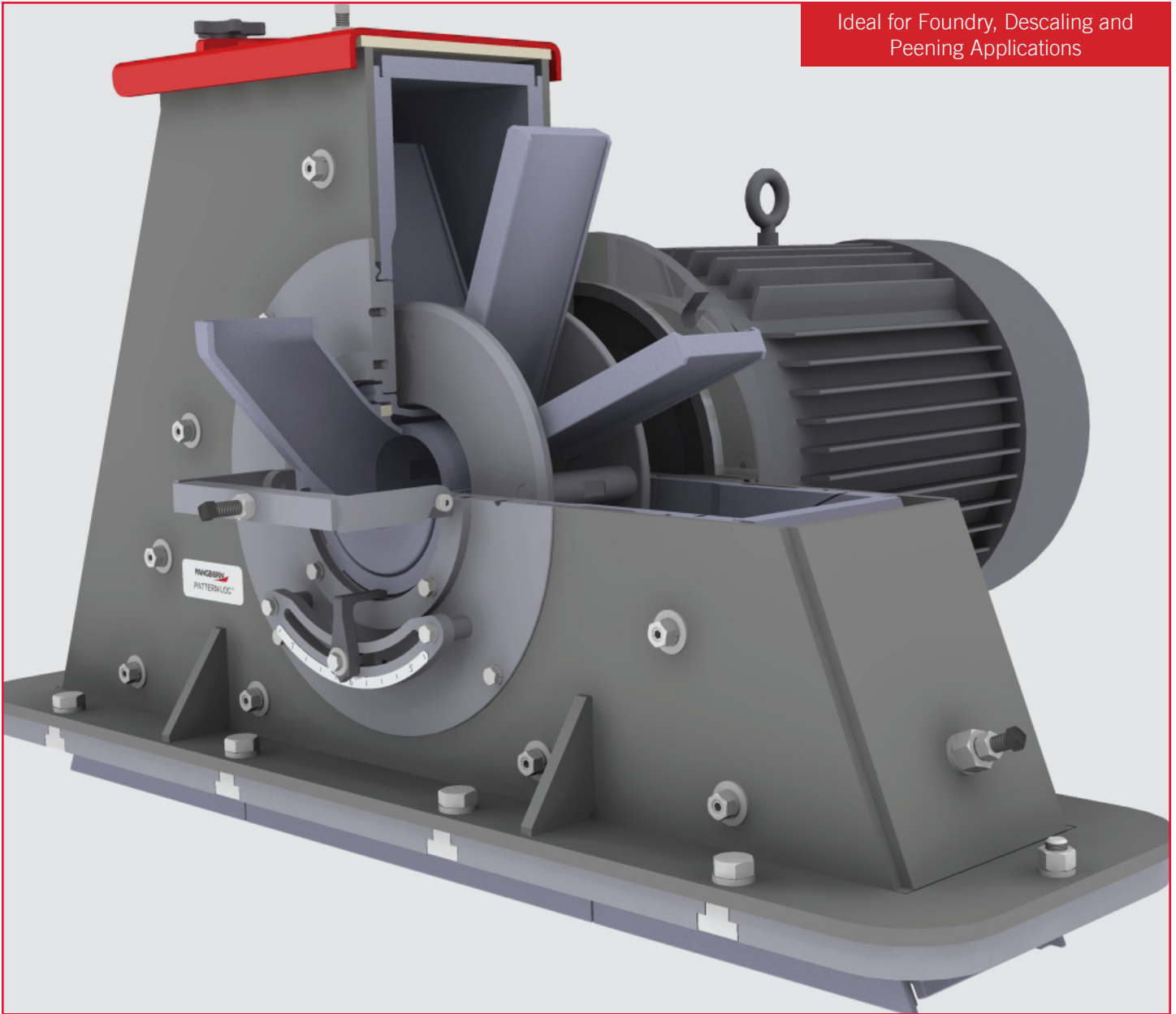


Ideal for Foundry, Descaling and Peening Applications



# Genesis™ G2 Rotoblast™

## REVERSIBLE 8-VANE WHEEL

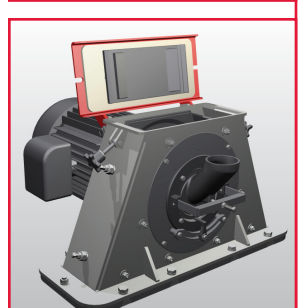
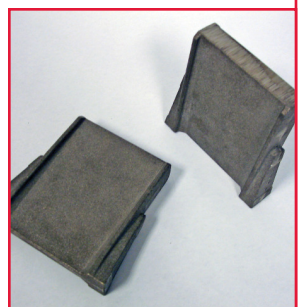
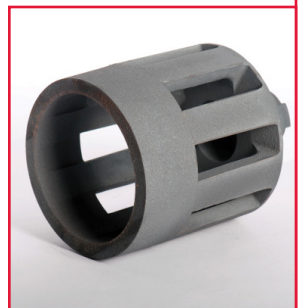
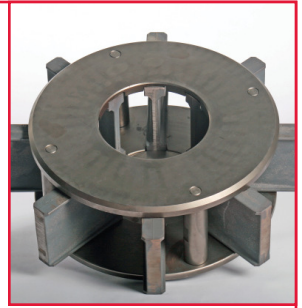
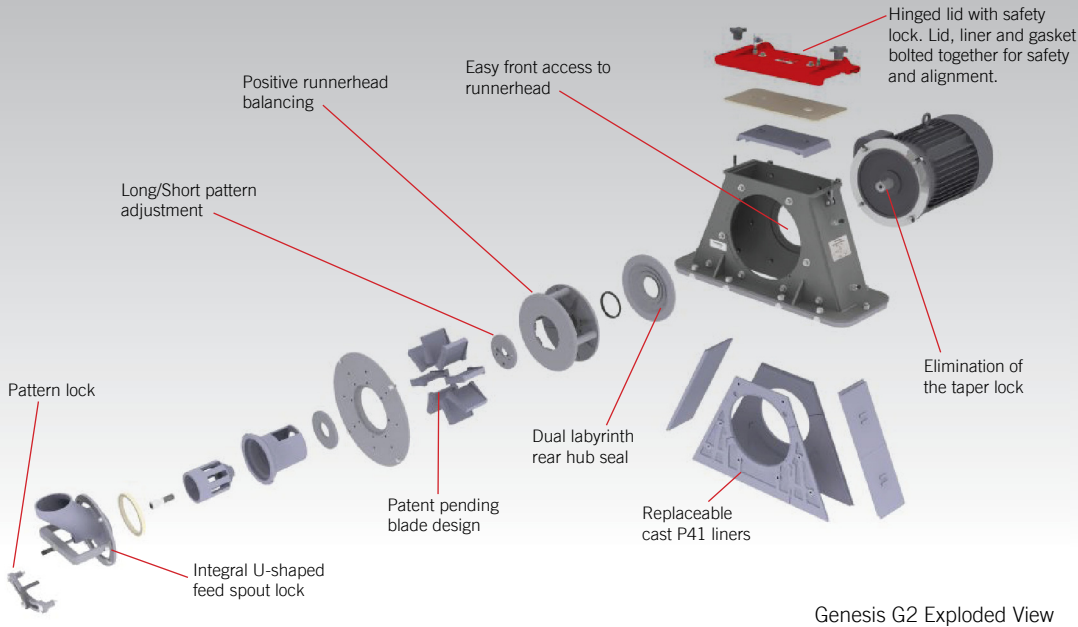
### INNOVATIONS & BENEFITS

- 3.5" and 4" vane widths available
- 3600 and 1800 rpm direct drive motors
- Long/short pattern adjustment with no additional parts
- Machined housing ensures proper alignment of all internal parts
- Balanced dual runnerhead design
- Full cast P41 liner package with hinged top lid featuring a locking pin for safety and convenience
- Pattern-Loc maintains blast pattern setting when changing feed parts
- Less part wear due to greater concentricity and more precise alignment

**PANGBORN**  
a PANGBORN GROUP Company

# GENESIS™ G2 ROTOBLAST™

## REVERSIBLE 8-VANE WHEEL



### KEY FEATURES DELIVER BIG ADVANTAGES

- Optimum abrasive flow rate for faster cleaning
- Abrasive velocity: up to 265 ft/sec (low speed) to 340 ft/sec (high speed)
- Universal feed parts for either CW or CCW rotation
- Direct drive motor eliminates manual alignment
- Easy, front-of-housing access to runnerhead
- Replaceable P41 cast liners
- Integrated dual labyrinth rear hub seal for superior abrasive containment
- T-slots in mounting flange aids with housing replacement
- Integral U-shaped feed spout clamp for safety and convenience

Wheel Family	G2 Double Runnerhead			
Wheel Model	3.5G2 (High Speed)	3.5G2 (Low Speed)	4G2 (High Speed)	4G2 (Low Speed)
Vane Width (inches)	3.5	3.5	4	4
Wheel Diameter (inches)	14, 16	24	14, 15, 16, 17	24, 26.5
Horsepower	25 - 75	25 - 75	25 - 75	25 - 75
RPM	3600	1800	3600	1800
Hertz	60	60	60	60

50 hertz available

The GENESIS G2 ROTOBLAST is not a theory, it's a proven fact, a revelation; blasting into the future supported by 105 years of cleaning knowledge and experience. The G2 delivers unequalled abrasive concentration across the work surface creating more uniform cleaning, and shorter cleaning cycles. Please contact us for more information or visit us at:

[www.pangborn.com](http://www.pangborn.com).

Pangborn Corporation  
 4630 Coates Drive  
 Fairburn, GA 30213  
 Toll Free: 800.638.3000  
 Phone: 404.665.5700  
 Fax: 404.665.5701  
 Email: [info@pangborn.com](mailto:info@pangborn.com)

